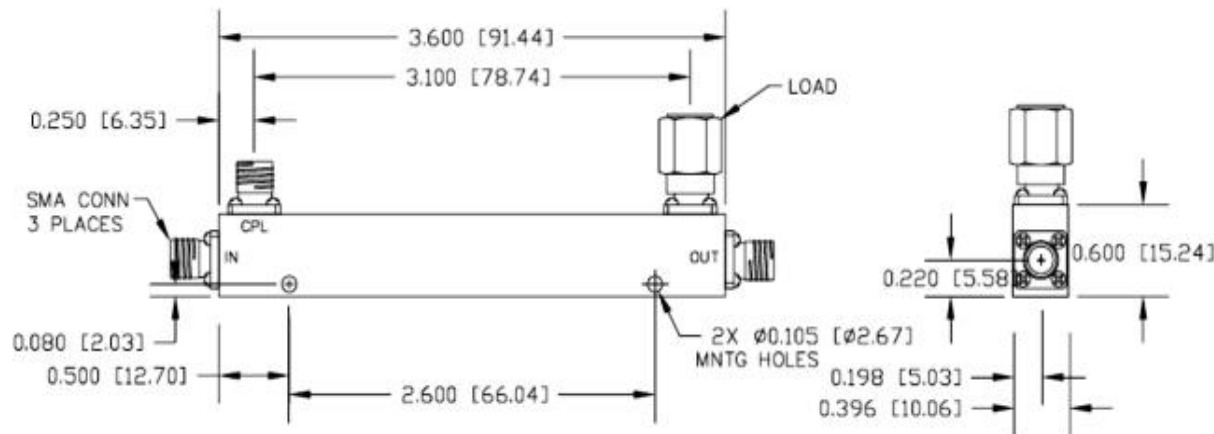


**DC-0.5G2G-20-S** is a  $20\pm 1\text{dB}$  coupling directional coupler, designed to operate over the 0.5-2.0 GHz frequency range, with compact size. This model is designed to handle 50W mx input power, and also performs with low insertion loss of 0.2dB max and with coupling flatness of  $\pm 0.75\text{dB}$  max, and low VSWR of 1.1 max.

### Mechanical Outline(Inch/mm):




### Specifications:

|                    |                         |
|--------------------|-------------------------|
| Coupling:          | 20 $\pm$ 1.2dB          |
| Frequency:         | 0.5-2.0 GHz             |
| Insertion Loss:    | 0.2dB max               |
| Coupling flatness: | $\pm 0.75\text{dB}$ max |
| Directivity:       | 25dB min                |
| Power Handling:    | 50W max                 |
| VSWR:              | 1.1:1 max               |
| Connectors:        | SMA-F(N optional)       |

### Environmental Ratings:

|                    |                                   |
|--------------------|-----------------------------------|
| Temperature:       | -25°C to +71 °C Operating         |
|                    | -65 °C to +100 °C Non-Operating   |
| Vibration:         | MIL-STD-202F, Method 204D Cond. B |
| Altitude:          | MIL-STD-202F, Method 105C Cond. B |
| Temperature Cycle: | MIL-STD-202F, Method 107D Cond. A |

| Directional Coupler<br>DC-0.5G2G-20-S |                   |                      |   |
|---------------------------------------|-------------------|----------------------|---|
| DRAWN:                                | DWG NO.:          | REV CODE:<br>Rev.1.0 | <br><a href="http://www.connphy.com">www.connphy.com</a><br><a href="mailto:sales@connphy.com">sales@connphy.com</a> |
| CHECKRD:                              | DATE:<br>18/04/15 | SHEET :<br>1 OF 1    |   |
| ISSUED:                               | SIZE:<br>A        | SCALE :<br>N / A     | Notes: SPEC ARE SUBJECT TO CHANGE WITHOUT NOTICE.   |